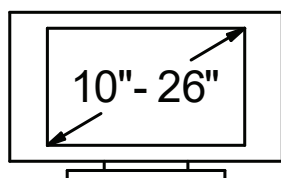
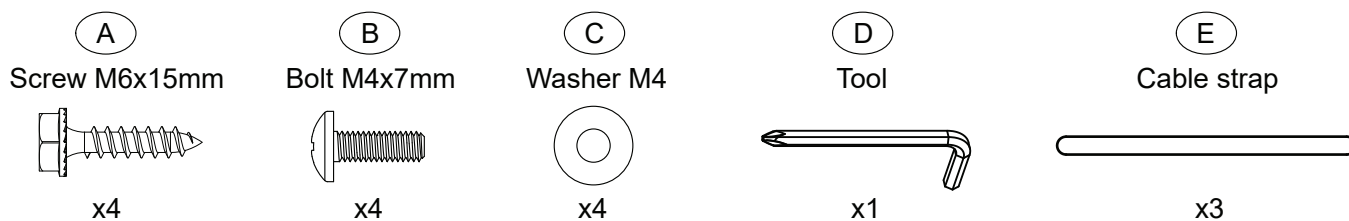
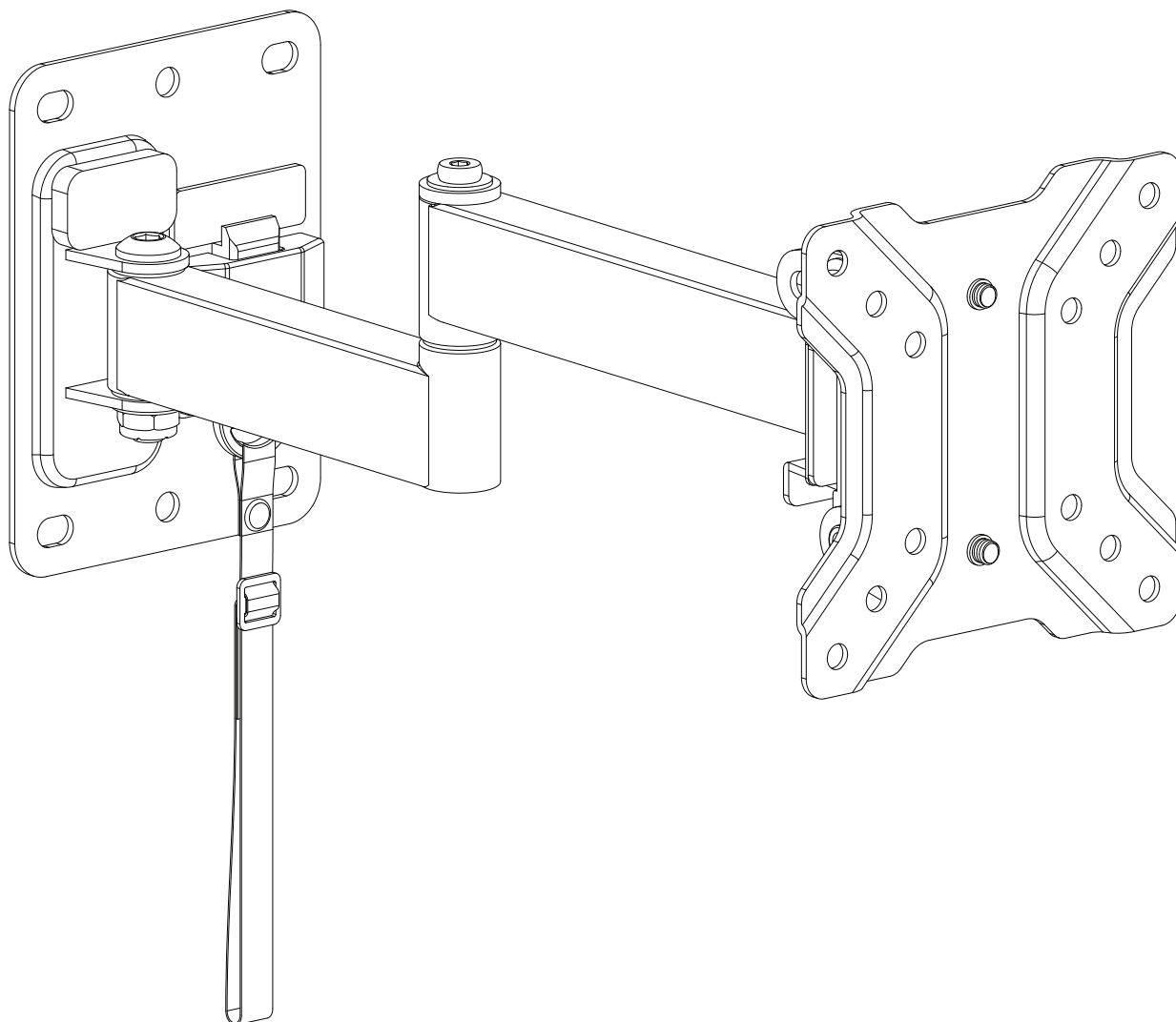


# EM1000 INSTALLATION INSTRUCTION



VESA standards:  
75x75mm  
100x100mm

## Safety Caution

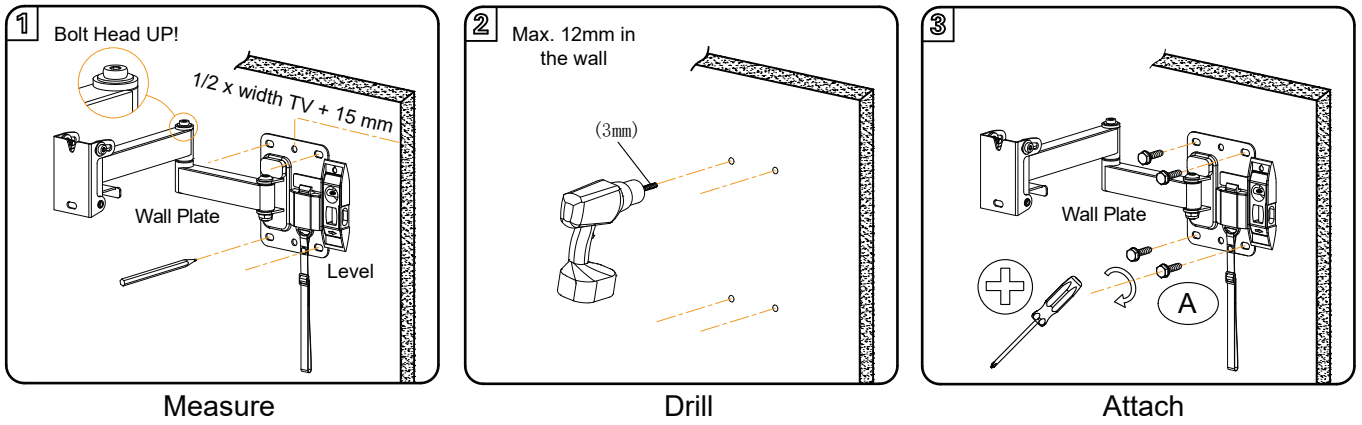
Please read this instruction carefully before installation.

If you do not understand these instructions or have doubts about the safety of the installation, assembly or use of this product, please feel free to contact Customer Service.

- Make sure the wooden board where you want to place the TV-Mount has a thickness of at least 15 mm.
- Make sure to stow the TV and fully lock the mount in place before your vehicle is moving.

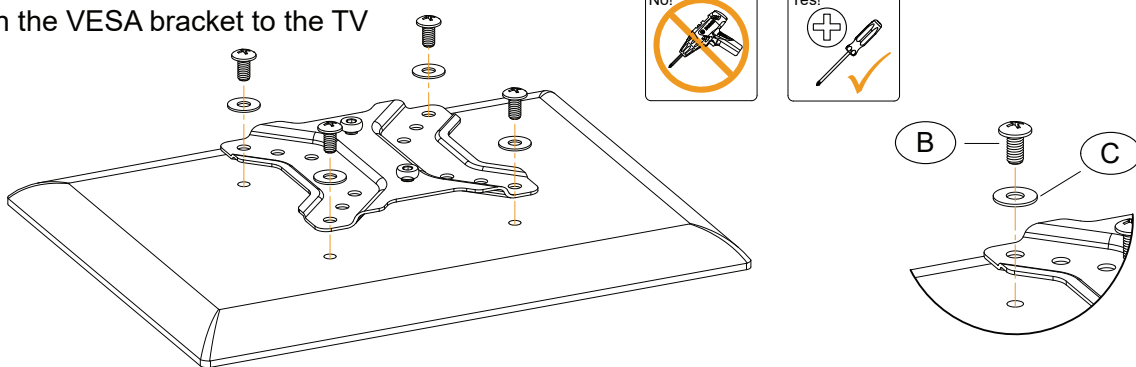
### STEP 1 Attach TV-Mount to the wall

**TIP:** Measure the width of your TV. Take  $1/2 \times$  the width of your TV + 15mm to locate the center of the TV-mount from the edge of the wall.



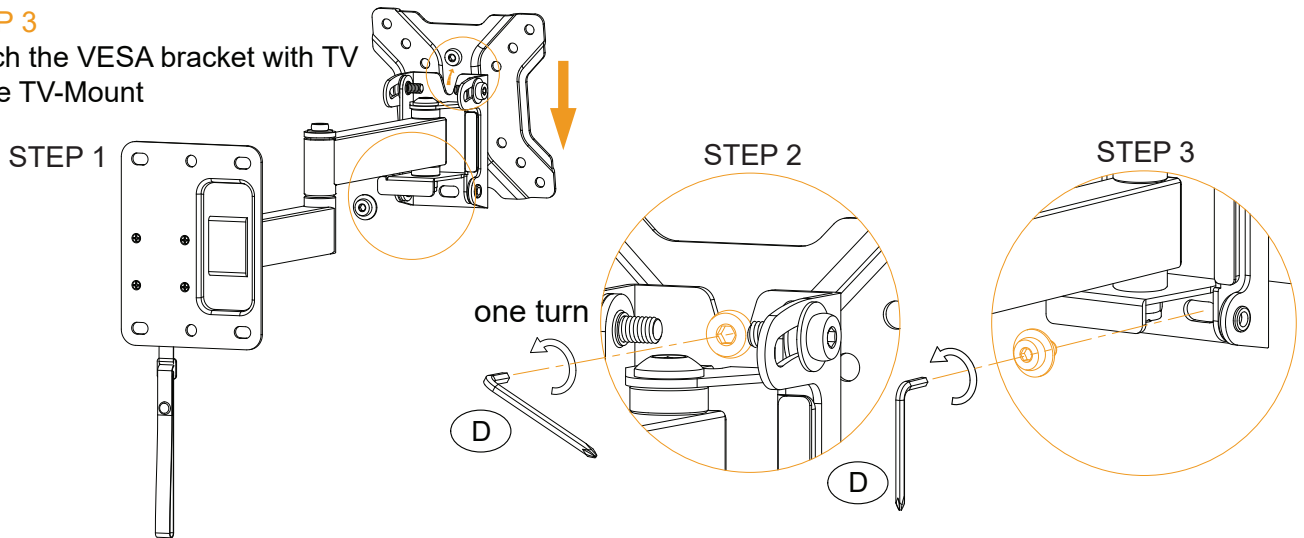
### STEP 2

Attach the VESA bracket to the TV



### STEP 3

Attach the VESA bracket with TV to the TV-Mount



LOCK  
UNLOCK

